
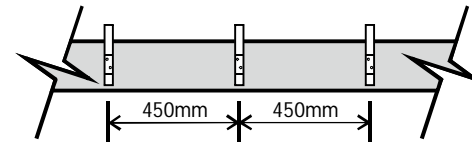
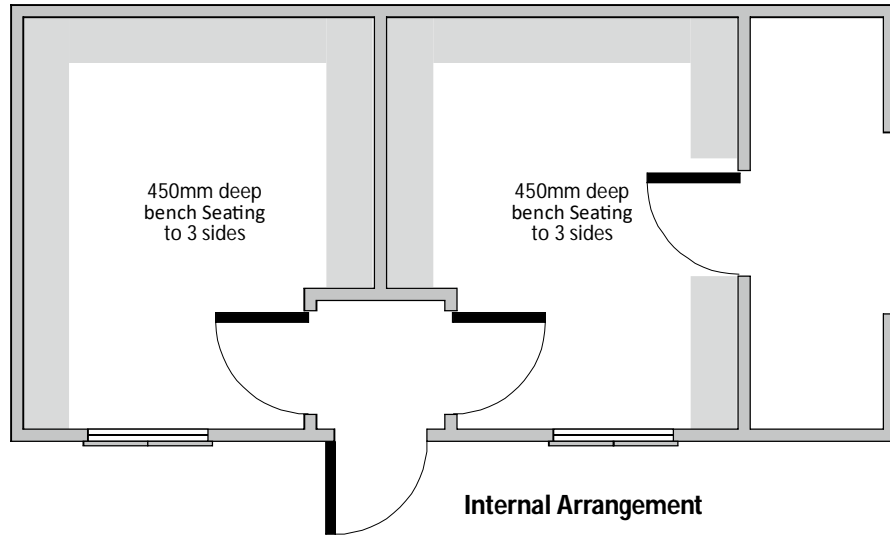
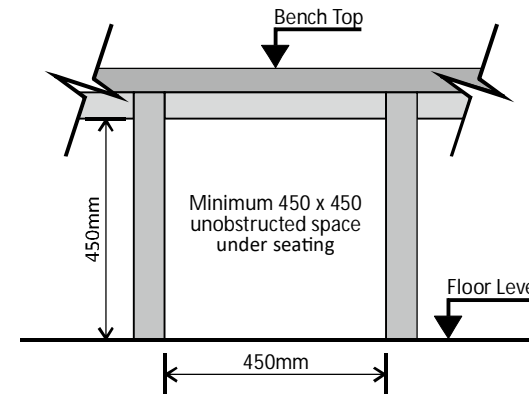


Revision B	Details Disabled access door added		
 Guisborough Priory Bowls Club Fountains Place Guisborough TS14 7JA			
TITLE Proposed Changing Rooms Overview			
SCALE Not to Scale	DRAWN PAS	DATE October 2019	
Drawing Number 2019-01			Revision B



Coat hook arrangement



Bench seat arrangement

NOTES

450mm deep slatted timber bench seating is to be provided as detailed. This shall be of appropriate PSE timber section with all arris edges removed and an appropriate hard-wearing clear finish applied.


The contractor shall be responsible for the design of the bench seating, final design to be agreed with GPBC. Details of the design shall be submitted with the tender. Typical examples of designs are shown bottom left.

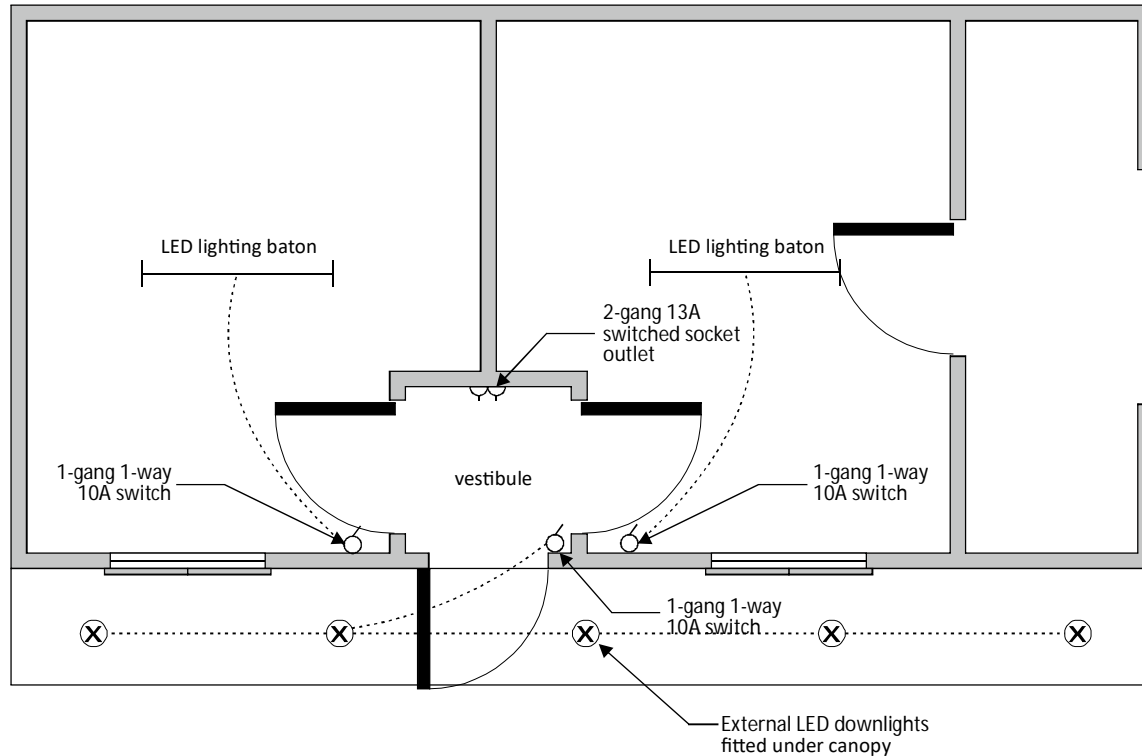
There shall be a minimum clear unobstructed 450mm wide x 450 high space between support legs to allow for storage of bags.

Anodised satin aluminium hat & coat hooks are to be fixed at 450mm centres on a suitable PSE timber backing piece with arris edges removed and an appropriate hard-wearing clear finish applied.



Examples of bench seating and coat hook arrangements

Revision B	Details Disabled access door added		
 Guisborough Priory Bowls Club Fountains Place Guisborough TS14 7JA			
TITLE Proposed Changing Rooms Internal Details			
SCALE Not to Scale	DRAWN PAS	DATE October 2019	
Drawing Number 2019-02			Revision B



NOTES


All electrical work is required to meet the requirements of the current British Standards and must be designed, installed, inspected and tested by a person competent to do so. Appropriate certification of the electrical installation shall be provided on completion.

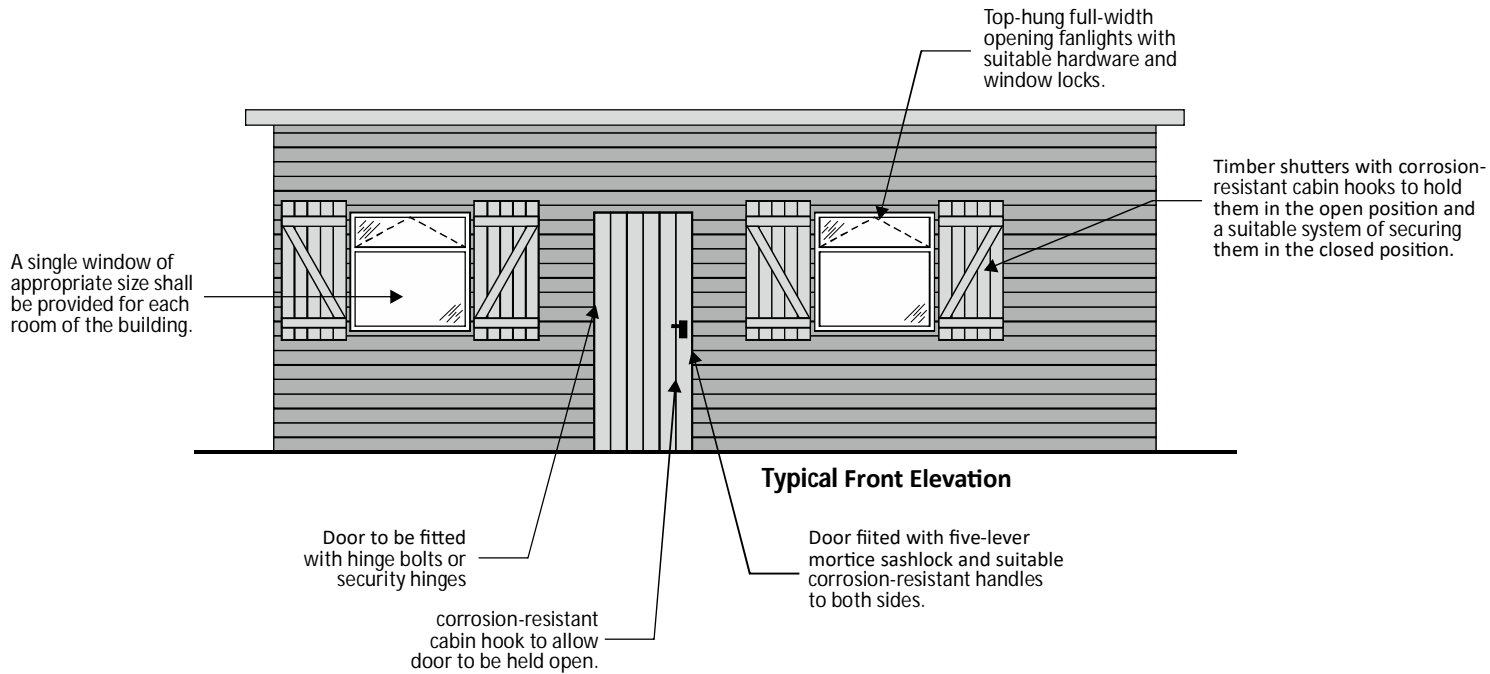
The electrical supply to the building may be either underground (preferred) or via a catenary system.

There shall be a single 2-gang 13A switched socket outlet provided in the vestibule area as shown.

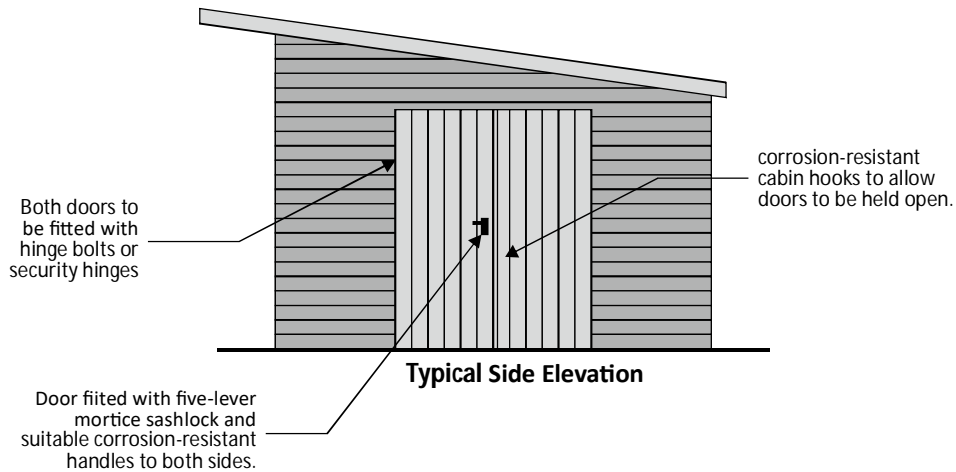
A single LED baton light of appropriate size to be fixed centrally in each room as indicated, operated by a 1-gang, 1-way 10A lighting switch fixed inside the entrance door as shown.

Externally, LED downlights to be provided on the underside of the overhanging canopy as shown, operated by a 1-gang, 1-way 10A lighting switch fixed immediately inside the main entrance door.

Revision B	Details Disabled access door added		
 Guisborough Priory Bowls Club Fountains Place Guisborough TS14 7JA			
TITLE Proposed Changing Rooms Electrical			
SCALE Not to Scale	DRAWN PAS	DATE October 2019	
Drawing Number 2019-03			Revision B



Typical Front Elevation



Typical Side Elevation

NOTES


The main entrance door of the building and the double doors of the storage area shall be of an appropriate external door construction with stiles of minimum 44mm thickness. They SHALL NOT be of ledged and braced construction with plank-style cladding ('shed'-type doors).

All external doors to be fitted with hinge bolts or security hinges to prevent removal from outside.

The main entrance door of the building and one of the double doors of the storage area shall be fitted with a five-lever mortice sashlock that meets or exceeds the requirements of BS3621 and suitable corrosion-resistant handles to both sides. Main entrance door fitted with corrosion-resistant cabin hook to allow it to be held open.

The door of the storage area not fitted with a five-lever deadlock shall be fitted internally with minimum 6" (150mm) bolts top and bottom that locate into the top and bottom (or floor) of the door frame. Both doors fitted with corrosion-resistant cabin hooks to allow them to be held open.

A single window of appropriate size shall be provided for each room of the building. These shall have top-hung full-width opening fanlights with suitable hardware and window locks. Timber shutters shall be provided for each window with corrosion-resistant cabin hooks to hold them in the open position and a suitable system of securing them in the closed position.

 Guisborough Priory Bowls Club Fountains Place Guisborough TS14 7JA			
TITLE Proposed Changing Rooms Security			
SCALE	Not to Scale	DRAWN	PAS
DATE	July 2019		
Drawing Number		2019-04	